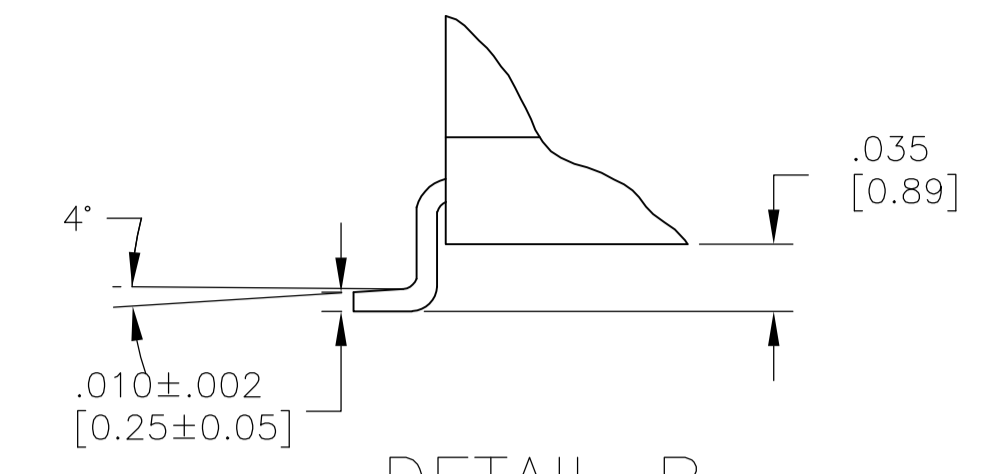
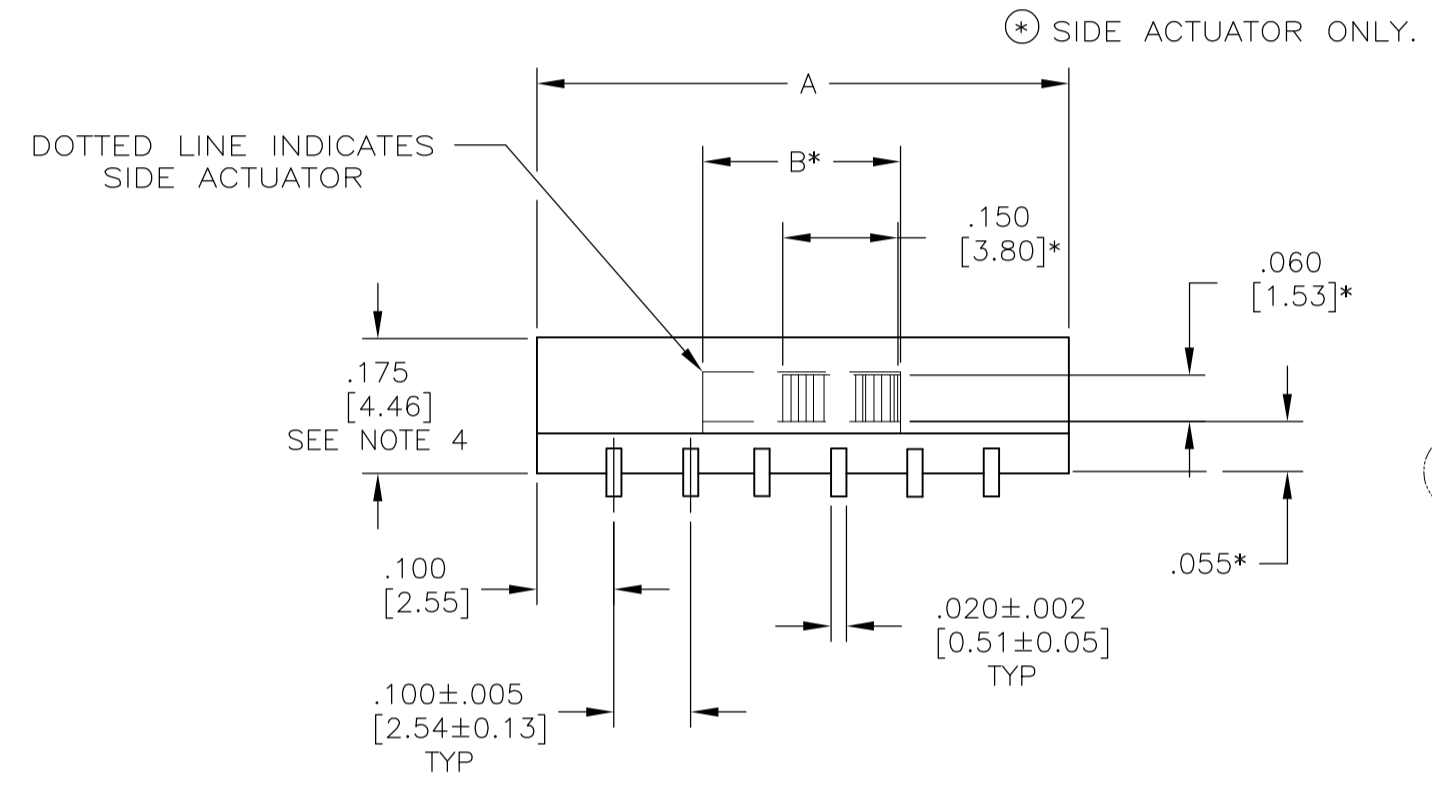
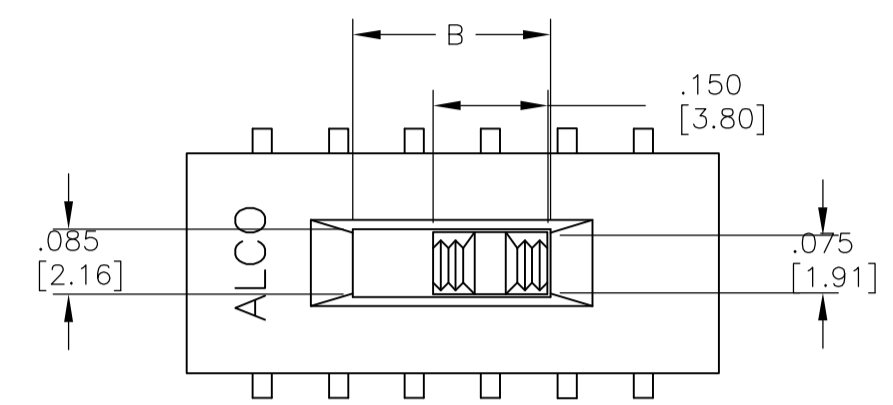


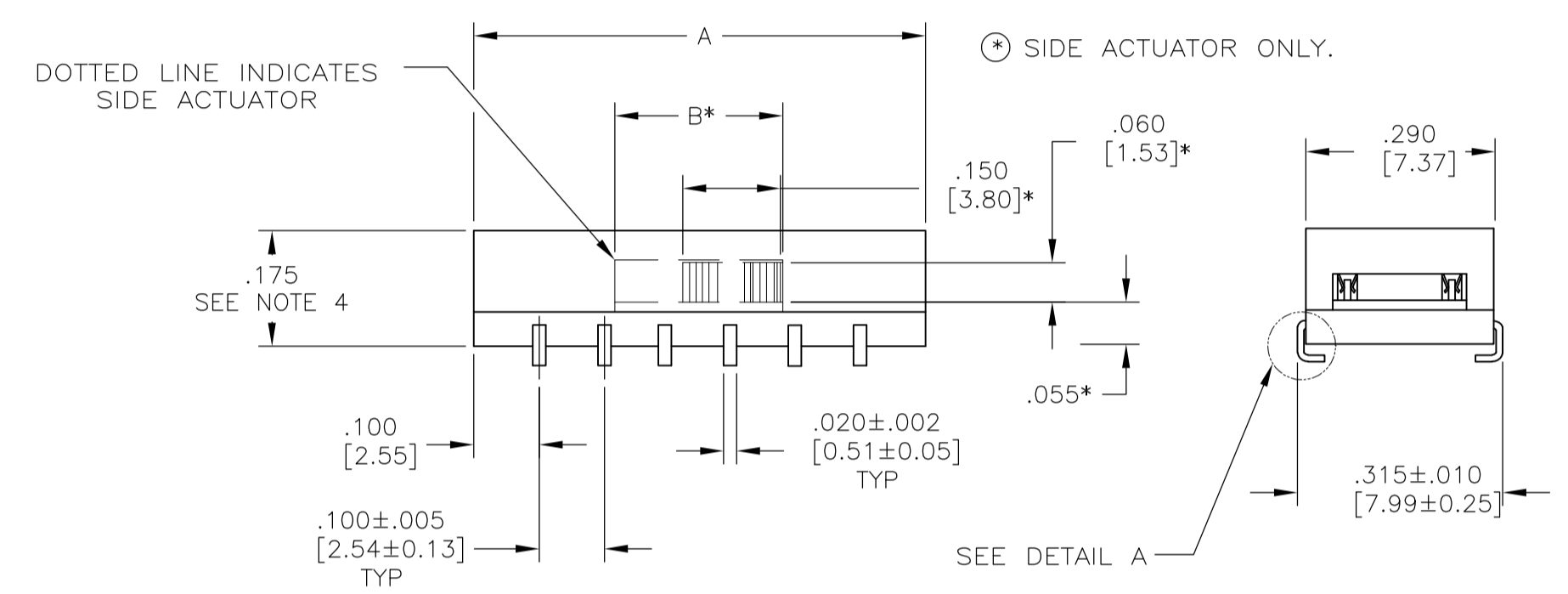
DETAIL A  
SCALE 10:1



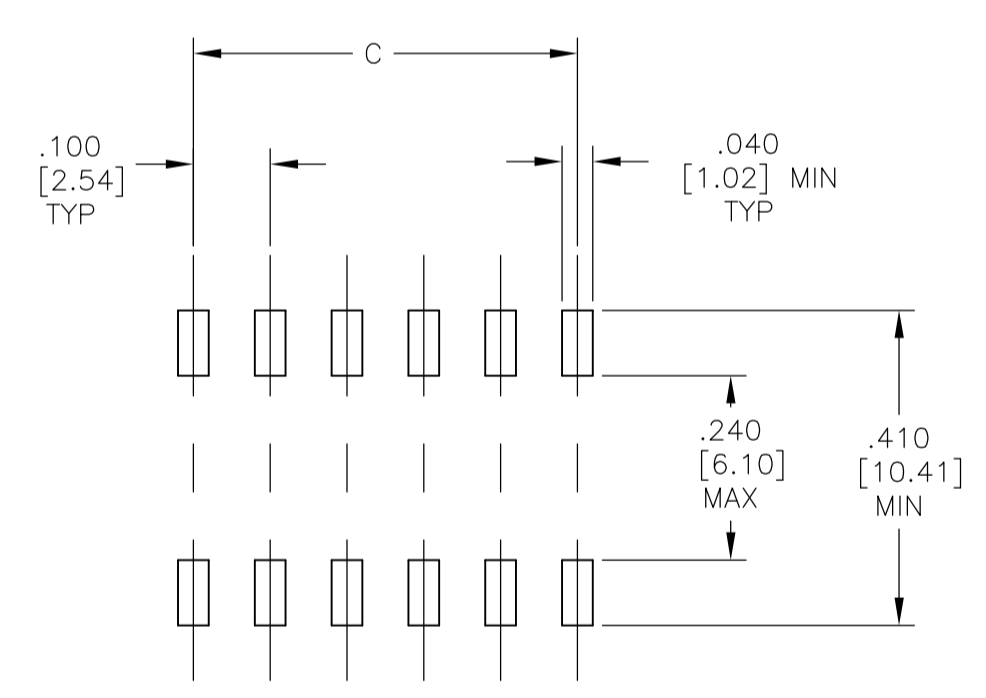
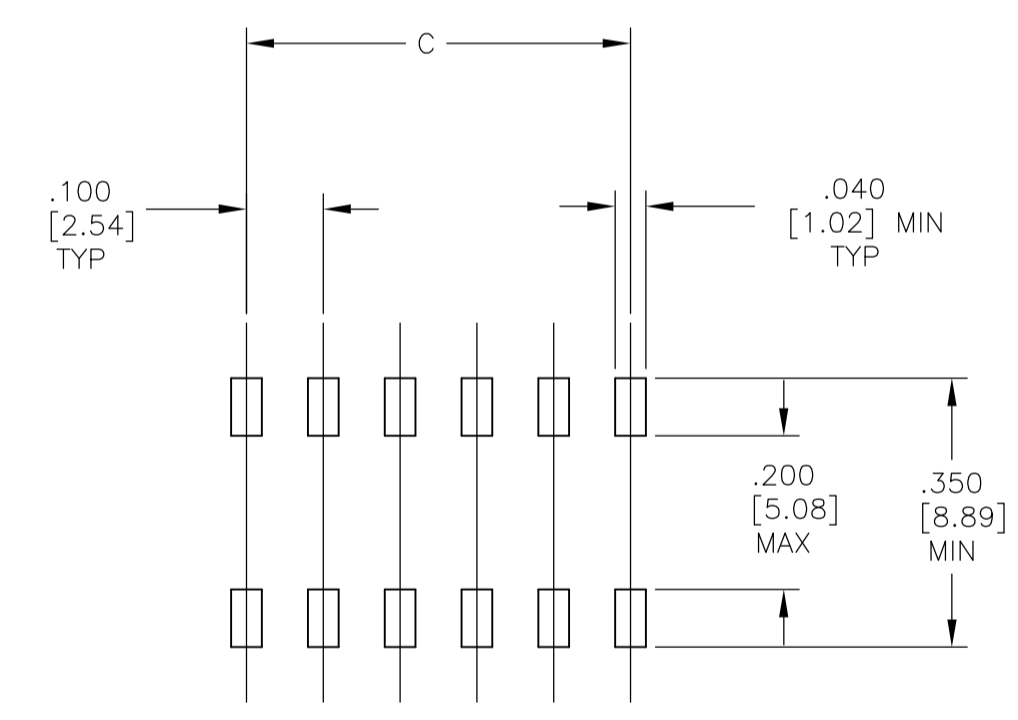
DETAIL B  
SCALE 10:1



PRINTED CIRCUIT BOARD  
PAD LAYOUT  
"L" GULL WING TYPE SURFACE MOUNT



PRINTED CIRCUIT BOARD  
PAD LAYOUT  
"S" J-LEAD TYPE SURFACE MOUNT



THIS DRAWING IS A CONTROLLED DOCUMENT.		DIN B.S.VISWESWARA 20FEB05		TE Connectivity	
DIMENSIONS: INCHES [mm]		CIRK M.S.SARVER 20FEB05			
TOLERANCES UNLESS OTHERWISE SPECIFIED:		APVD M.S.SARVER 20FEB05		NAME	
0 PLC ± -		PRODUCT SPEC		SLIDE SWITCH ASF, AUTO-INSERTABLE, THRU-HOLE AND SURFACE MOUNT	
1 PLC ± -		APPLICATION SPEC		-	
2 PLC ± -		WEIGHT		-	
3 PLC ± .01(0.25)		SIZE		A1	
4 PLC ± ± 1°		DRAWING NO		00779	
MATERIAL SEE SHEET 1		FINISH SEE SHEET 1		CUSTOMER DRAWING	
		SCALE		4:1	
		SHEET		2 OF 2	
		REV		B1	